

Sensing element OEM

Sensors

KEY FEATURES

- Designed for measurement of pressure in liquid and gaseous media, including special gases
- Employs KMW¹⁾ in-house developed and manufactured thin-film strain-gauge measuring technology for high sensitivity and robust performance
- High proof and burst pressures
- Depending on application, the functional layer can be connected with either soldered or wire-bonded contacts
- Can be supplied either welded onto stainless steel adapter/support parts or ready for welding by the customer
- Equipped with temperature measurement function

1) Kaufbeurer Mikrosysteme Wiedemann GmbH, a Wiedemann Group Company

TECHNICAL DATA

- Measuring range: 20 ... 3000 bar
- Hysteresis: < 0.1 % FS
- TC Zero offset: < 0.02 % FS/K
- TC span: < 0.01 % FS/K

Sensor-Technik Wiedemann GmbH

Am Bärenwald 6
87600 Kaufbeuren
Germany
+49 8341 9505-0
info.stw@wiedemann-group.com
www.stw-mm.com

TECHNICAL DATA

Available Pressure Ranges

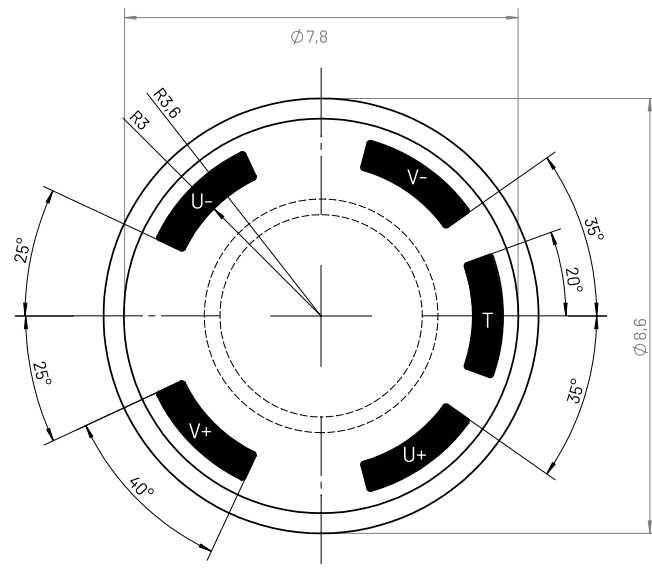
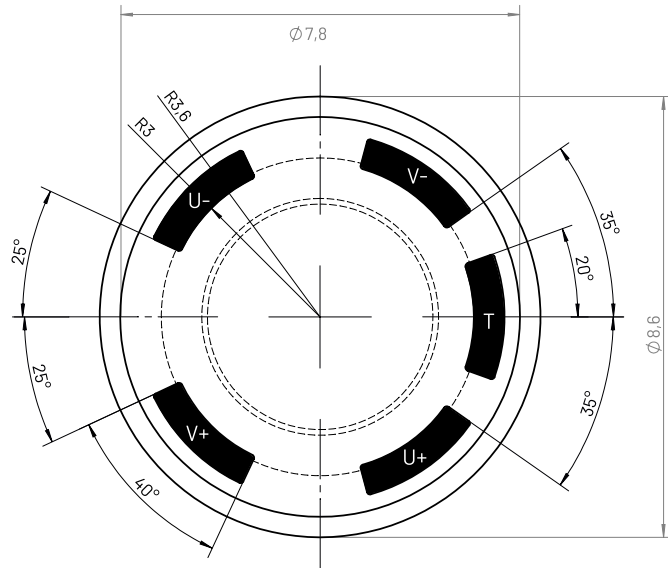
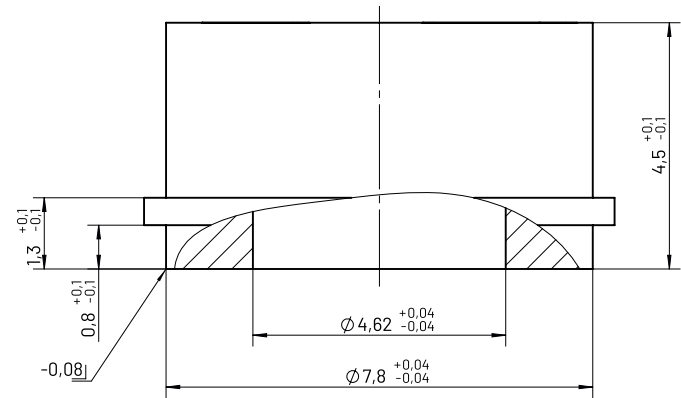
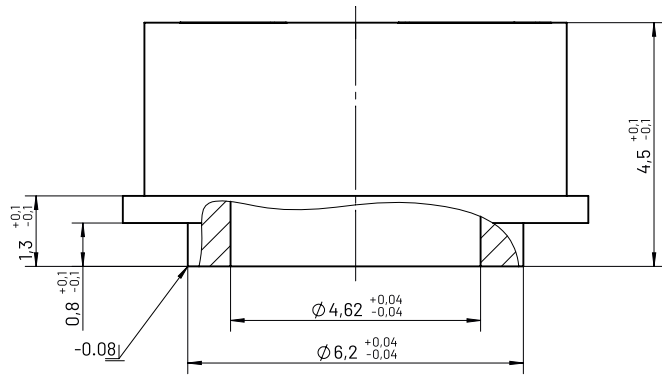
	TB	TE	TG	TL	TQ	TV²⁾	TX²⁾
Measuring range	20 bar	60 bar	160 bar	400 bar	800 bar	2000 bar	3000 bar
Overload referred to DIN EN 60770-1	40 bar	100 bar	250 bar	600 bar	1000 bar	2200 bar	3200 bar
Burst pressure referred to DIN EN 60770-1	60 bar	150 bar	400 bar	800 bar	1200 bar	2400 bar	3400 bar
Min. lifetime	> 10 ⁸ cycles	> 10 ⁸ cycles	> 10 ⁸ cycles	> 10 ⁸ cycles	> 10 ⁸ cycles	on request	on request
Linearity (typical)	< 0.5 % FS	< 0.2 % FS	< 0.2 % FS	< 0.2 % FS	< 0.2 % FS	< 0.2 % FS	< 0.2 % FS
Hysteresis (typical)	< 0.1 % FS						
TC zero offset (typical)	< 0.02 % FS/K						
TC span (typical)	< 0.01 % FS/K						
Long term stability (typical)	< 0.2 % FS p. a. (under reference conditions)						
Operating temperature	-40 ... +200 °C / -40 ... 392 °F						
Zero offset	0 ±1.2 mV/V						
Span	5.5 mV/V ±20 %						
Bridge resistance	2 ... 9 kΩ						
Insulation	500 VDC						
Max. supply voltage	15 VDC						
Material	17-4 PH						

2) For common-rail fuel injection applications; drawings on request

TECHNICAL DRAWING

≤ 700 bar

≥ 800 bar



All dimensions in millimeters if not otherwise declared